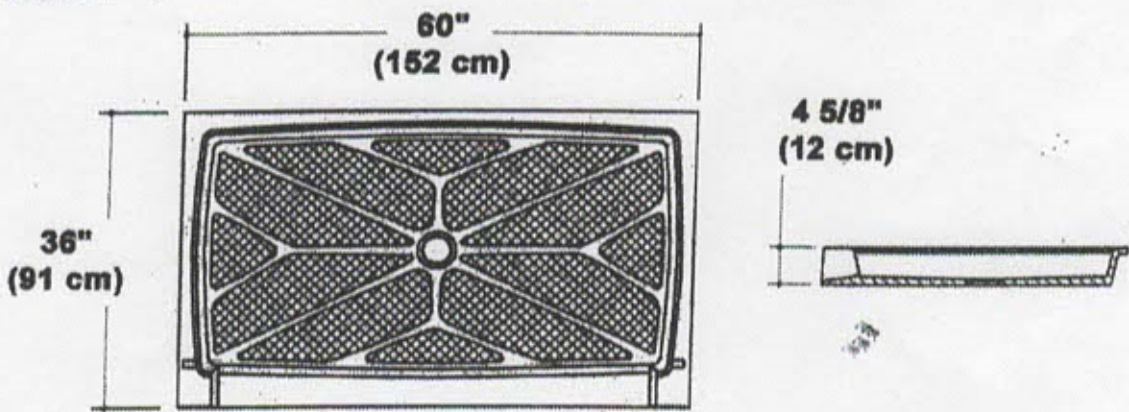


36 X 60 ADA Floor

1052-1



Drain Measurements

